



STORE-IN-STORE TURNKEY SOLUTIONS

- SELF CONTAINED
- REFRIGERATED
- COUNTER PRESSURE FILLERS
- DIGITAL MENU SYSTEM
- VARIOUS SIZES & CONFIGURATIONS



THE GROWLER STATION, INC.

188 TECHNOLOGY DRIVE, SUITE F

IRVINE, CA 92618

949.387.5451

INFO@GROWLER-STATION.COM

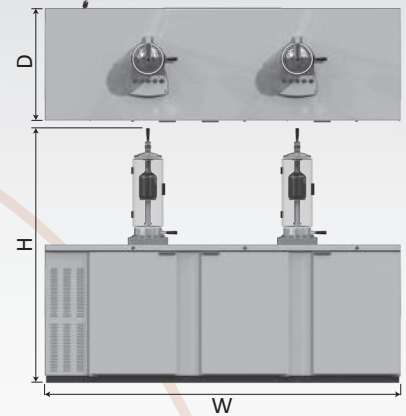
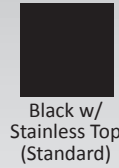
WWW.GROWLER-STATION.COM • WWW.GSDISTRIBUTORGROUP.COM





GSE-M68-4c
4 Beer Lines, 1 Growler Fillers,
4 Beer Faucets

Available Finishes



Growler Station Express Kiosk Options - 48", 70.5", & 81" Wide Models

| Part No. | Dimensions | | | Keg Capacity - Barrels | | Finish | # Beer Lines | # Glass Fillers | # Plastic Fillers | # Beer Faucets | Keg Couplers |
|----------------------------|------------|--------|--------|------------------------|-------|--------|--------------|-----------------|-------------------|----------------|--------------|
| | L | D | H | Half | Sixth | | | | | | |
| GSE-M48-4a | 48.00" | 23.50" | 66.00" | 0 | 4 | Black | 4 | 1 | 0 | 0 | 4** |
| GSE-M68-4a | 70.50" | 30.00" | 66.50" | 3 | 1 | Black | 4 | 1 | 0 | 0 | 4** |
| GSE-M68-4b (not pictured) | 70.50" | 30.00" | 66.50" | 3 | 1 | Black | 4 | 1 | 4 | 8 | 4** |
| GSE-M68-4c | 70.50" | 30.00" | 66.50" | 3 | 1 | Black | 4 | 1 | 0 | 4 | 4** |
| GSE-M78-8a | 81.00" | 30.00" | 66.50" | 3 | 5 | Black | 8 | 2 | 0 | 0 | 8** |
| GSE-M78-8b | 81.00" | 30.00" | 66.50" | 3 | 5 | Black | 8 | 2 | 4 | 0 | 8** |
| GSE-M78-12a (not pictured) | 81.00" | 30.00" | 66.50" | 0 | 12 | Black | 12 | 3 | 0 | 0 | 12** |

Notes: * Height dimension from bottom of unit to top of handle on the CraftTap; 3.75" Casters not included on height dimensions
** Keg Couplers supplied are "D" Style for US Kegs, custom keg couplers would need to be quoted separately.



GSE-M48-4a
4 Beer Lines, 1 Growler Fillers



GSE-M68-4a
4 Beer Lines, 1 Growler Filler



GSE-M78-8a
8 Beer Lines, 2 Growler Fillers



GSE-M78-8b
8 Beer Lines, 2 Growler Fillers,
4 Plastic Fillers

REFRIGERATION SPECIFICATIONS:

| | | | |
|----------------------|--------------|-------------------------------|--------------------------|
| Manufacturer: | Micro Matic | Refrigerant: | R-134a |
| Part No.: | MBB68, MBB78 | Charge oz (Grs): | 12.30 (350) |
| Approval: | ETL | Ventilation: | Front, Left Side, & Back |
| Condenser HP: | 1/3 | GSE-M48 Specifications | |
| Running Amps: | 6.7 | | |
| Voltage: | 115/60/1 | Manufacturer: | Bev Air (UL Listed) |
| Plug Type: | NEMA-5-1 5P | Part No.: | BB48Y |
| Cord Length: | 8' | Running Amps: | 5 |

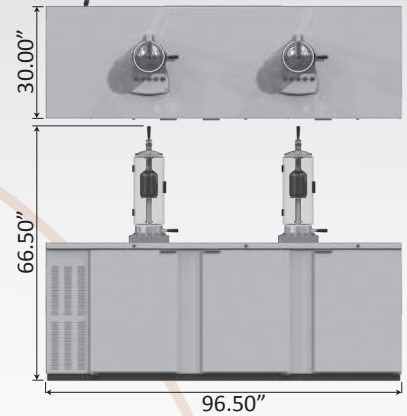
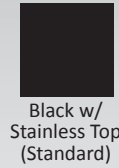
| | |
|--------------------|-------------------------------------------------------------------------------------------------------------------------------------------------------------|
| Exterior: | 18 gauge stainless steel top, 22 gauge solid doors, 24 gauge front, sides, and back. Front, sides, and back black vinyl over steel |
| Interior: | 20 gauge stainless steel floor, reinforced frame, 24 gauge galvanized walls. |
| Plumbing: | Automatic condensation evaporator, no drain connection required. Evaporator condensate has been plumbed to a condensate pan located in the compressor unit. |
| Insulation: | Foamed-in-place using high density, CFC-free polyurethane; 1-1/2" top, walls, and floor. |
| Warranty: | One Year Parts & Labor against defects in material or factory workmanship: Additional Four Year Compressor Part Warranty. |





GSE-M94-8b
8 Beer Lines, 2 Growler Fillers,
8 Plastic Bottle Fillers

Available Finishes



Growler Station *Express* Kiosk Options - 96.5" Wide Models

| Part No. | Dimensions | | | Keg Capacity - Barrels | | Finish | # Beer Lines | # Glass Fillers | # Plastic Fillers | # Beer Faucets | Keg Couplers |
|-------------|------------|--------|--------|------------------------|-------|--------|--------------|-----------------|-------------------|----------------|--------------|
| | L | D | H | Half | Sixth | | | | | | |
| GSE-M94-8a | 96.50" | 30.00" | 66.50" | 6 | 2 | Black | 8 | 2 | 0 | 0 | 8** |
| GSE-M94-8b | 96.50" | 30.00" | 66.50" | 6 | 2 | Black | 8 | 2 | 8 | 0 | 8** |
| GSE-M94-8c | 96.50" | 30.00" | 66.50" | 6 | 2 | Black | 8 | 2 | 0 | 8 | 8** |
| GSE-M94-12a | 96.50" | 30.00" | 66.50" | 0 | 12 | Black | 12 | 3 | 0 | 0 | 12** |
| GSE-M94-12c | 96.50" | 30.00" | 66.50" | 0 | 12 | Black | 12 | 3 | 0 | 12 | 12** |

Notes: * Height dimension from bottom of unit to top of handle on the CraftTap; 3.75" Casters not included on height dimensions

** Keg Couplers supplied are "D" Style for US Kegs, custom keg couplers would need to be quoted separately.



GSE-M94-8a
8 Beer Lines, 2 Growler Fillers



GSE-M94-8c
8 Beer Lines, 2 Growler Fillers, 8 Faucets



GSE-M94-12a
12 Beer Lines, 3 Growler Fillers



GSE-M94-12c
12 Beer Lines, 3 Growler Fillers,
12 Faucets

REFRIGERATION SPECIFICATIONS:

| | | | |
|----------------------|-------------|-------------------------|-----------------------------|
| Manufacturer: | Micro Matic | Refrigerant: | R-134a |
| Part No.: | MBB94 | Charge oz (Grs): | 12.30 (350) |
| Approval: | ETL | Ventilation: | Front, Left Side, & Back |
| Condenser HP: | 1/3 | | |
| Running Amps: | 6.7 | | |
| Voltage: | 115/60/1 | | |
| Plug Type: | NEMA-5-1 5P | | |
| Cord Length: | 8' | | |

| | |
|--------------------|-------------------------------------------------------------------------------------------------------------------------------------------------------------|
| Exterior: | 18 gauge stainless steel top, 22 gauge solid doors, 24 gauge front, sides, and back. Front, sides, and back black vinyl over steel |
| Interior: | 20 gauge stainless steel floor, reinforced frame, 24 gauge galvanized walls. |
| Plumbing: | Automatic condensation evaporator, no drain connection required. Evaporator condensate has been plumbed to a condensate pan located in the compressor unit. |
| Insulation: | Foamed-in-place using high density, CFC-free polyurethane; 1-1/2" top, walls, and floor. |
| Warranty: | One Year Parts & Labor against defects in material or factory workmanship: Additional Four Year Compressor Part Warranty. |





THE GROWLER STATION, INC.

188 TECHNOLOGY DRIVE, SUITE F
IRVINE, CA 92618
949.387.5451

INFO@GROWLER-STATION.COM

WWW.GROWLER-STATION.COM
WWW.GSDISTRIBUTORGROUP.COM



Copyright © 2014 - The Growler Station
The Growler Station™, The Growler Station Express™ and GS Express™
are registered trademarks of The Growler Station, inc.

